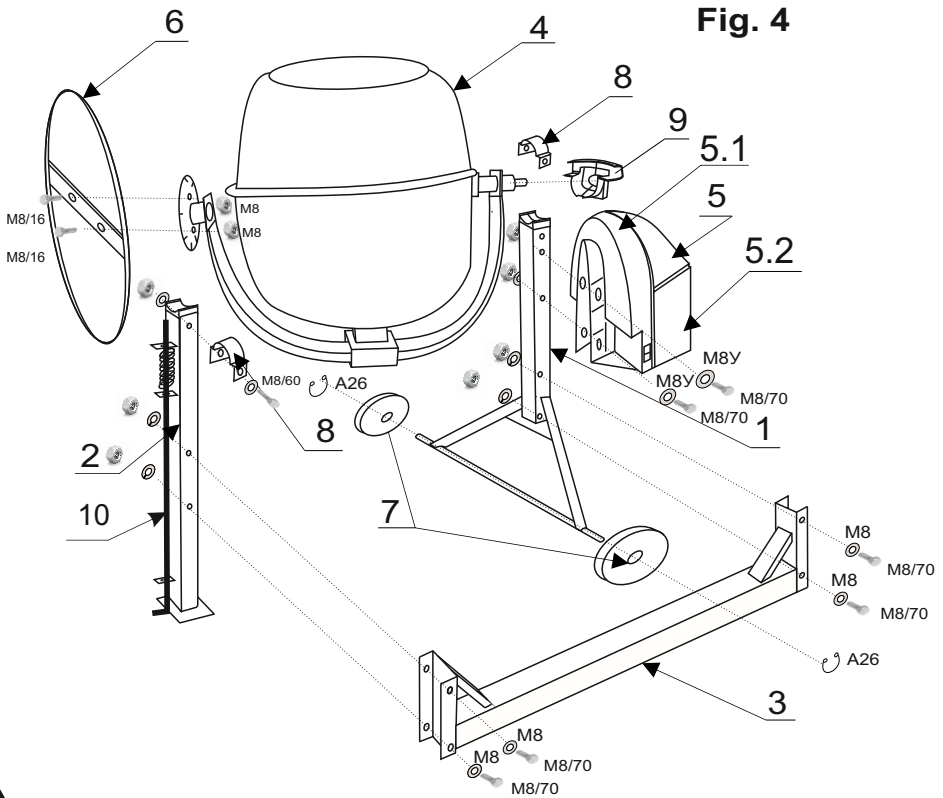


Fig. 4

5.5. These works are carried out in the place that is protected from rain and outsiders. Do not touch the parts inside the motor housing!

After tensioning the belt, turn on the concrete mixer and visually inspect the work of the belt, it should not touch the housing wall and should not be displaced along the axis of the motor or pulley. In case if you notice it displacement it is indicates incorrect installation of housing (5.1) on the rack (1). In this case, repeat the operation of paragraph 5.2 of this manual.

5.6. Attach the housing cover (5.2) to the motor housing (5.1) with screws.

5.7. Attach the steering wheel (6) with bolts and screw nuts according to the picture.



Attention! Before operating, read the passport!

You can watch video instructions how to assembly concrete mixer on our web site www.vector-ua.net.

Completionation figure 3

- 1 Big Rack
2. Small Rack
3. Pipe-connection
4. Tank in assembly
5. Concrete mixer motor housing in assembly (5.1- housing, 5.2- cover)
6. Steering wheel
7. Transport wheel - 2 pcs.
8. Clamp - 2 pcs.